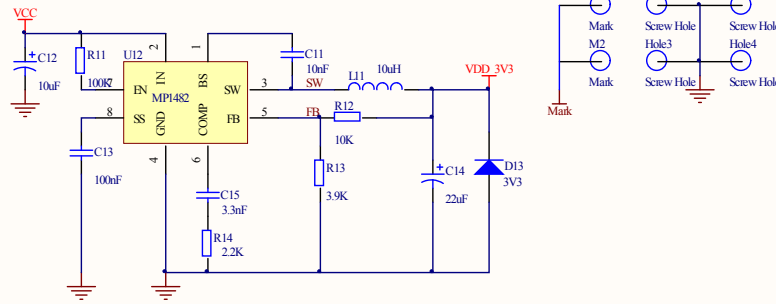
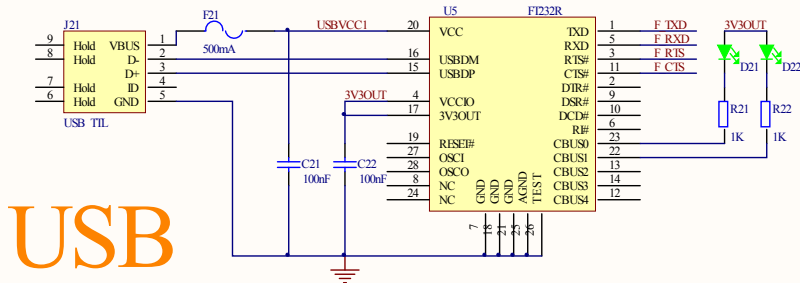
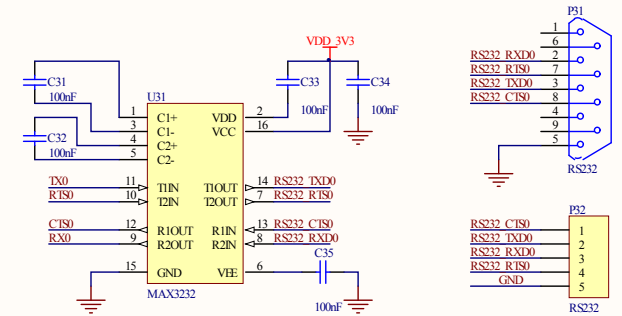


# Power

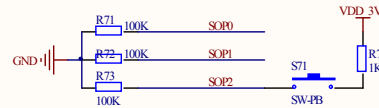


# RS232

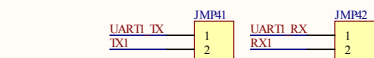
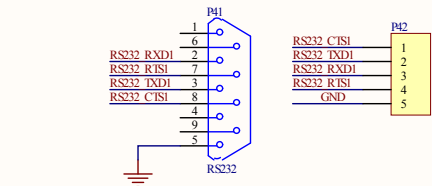
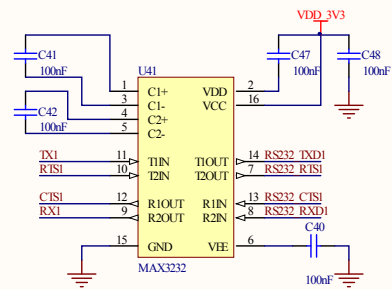


# USB

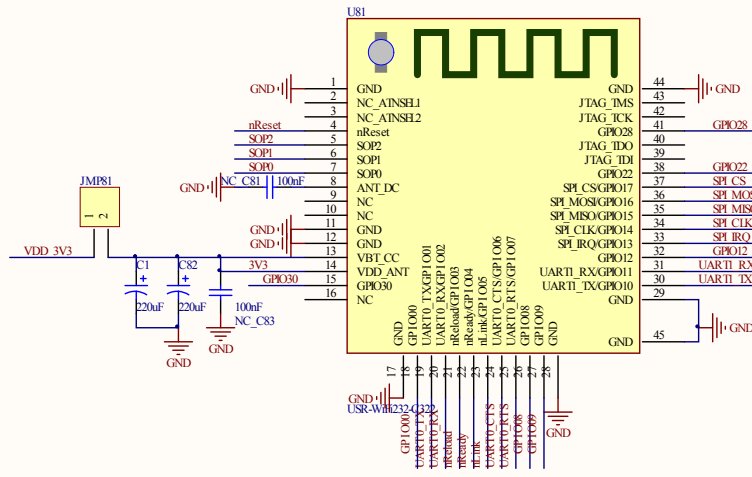
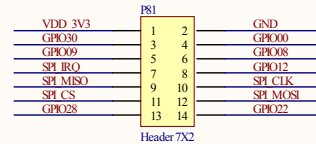
LDfUART sop2 sop1 sop0  
 1 0 0 0 UART Flash/VRAM  
 Fn2WJ 0 0 1 2 JTAG TMS TCK  
 LDfUART 0 0 0 4 JTAG TDI TMS TCK TDO



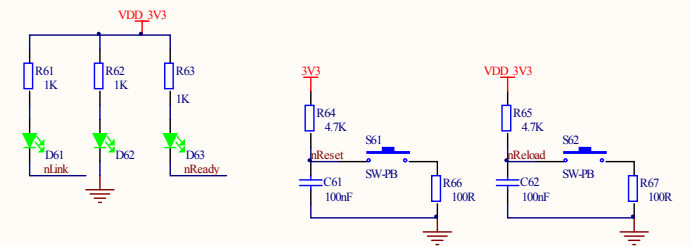
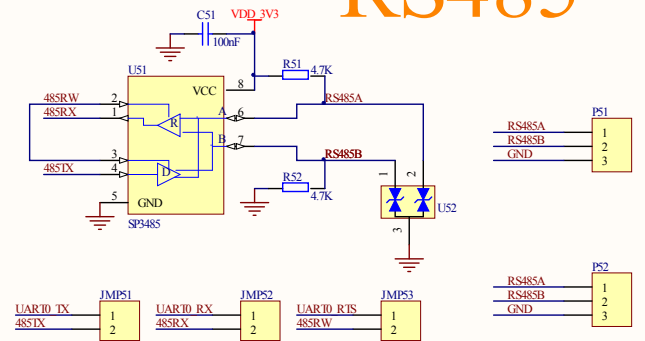
# RS232



# WiFi



# RS485



Title: USR-C322-EVK V1.1

Size	Number	Revision
A3		
Date:	2015/3/17	Sheet of
File:	Gcc3200	\\USR_C322-EVK_V1.1_Sch