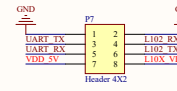
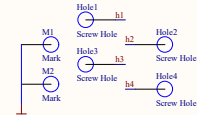
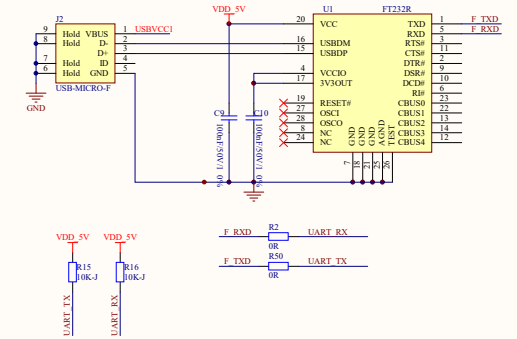


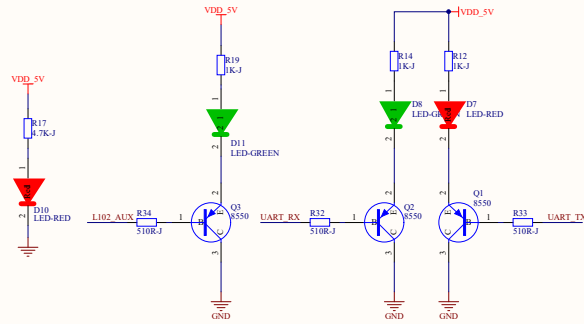
# 1 POWER



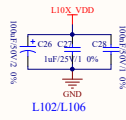
# 2 PORT



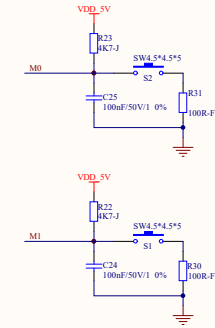
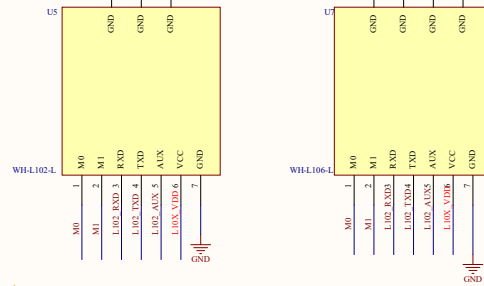
# 3 USB



# 4 LED



# 5 LORA



# 6 KEY

Title		
Size	Number	Revision
A2		
Date	2019/5/27	Sheet of
File	P:\_WH4-L102-L106-EVK-V1.2_Sch	Drawn By: