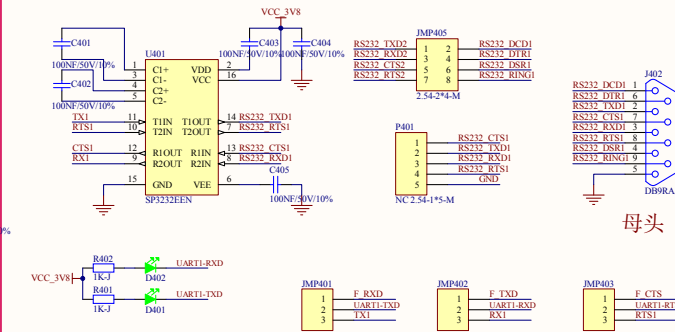


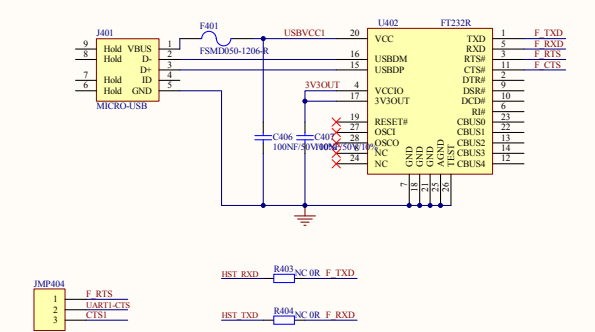
防反接电路

POWER1

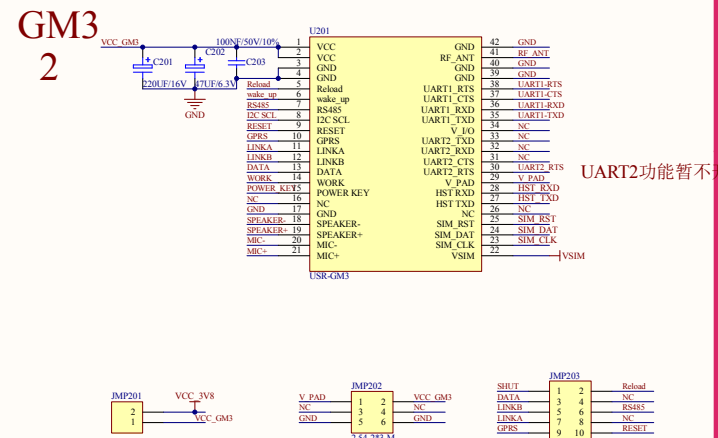


母头

UART1 4



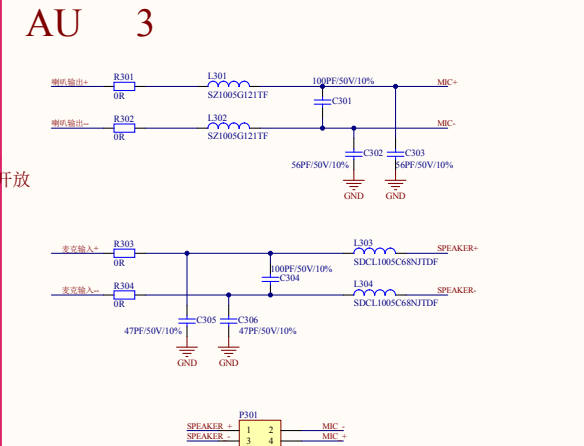
If you use HST_TXD, HST_RXD port, weld 0 R, and USB communication is established



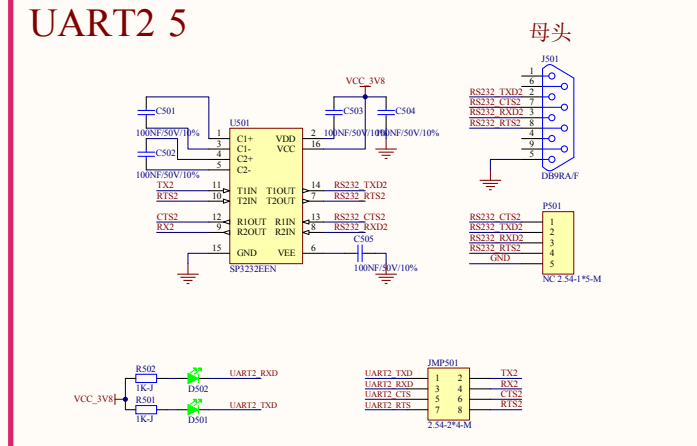
GM3 2

UART2功能暂不开放

跳线帽连接上给GM3/GM3s供电
调试用插针

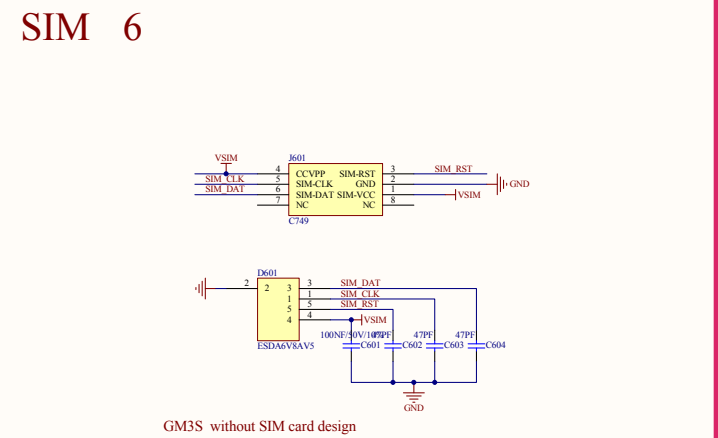


AU 3



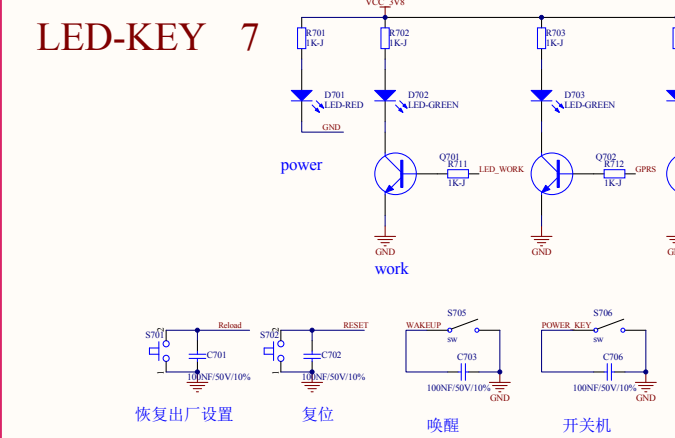
UART2 5

母头



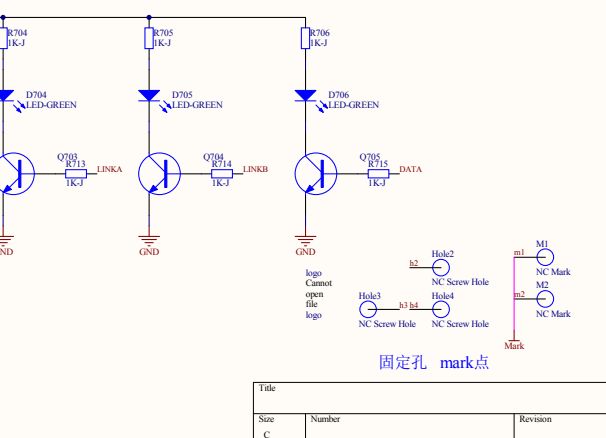
SIM 6

GM3S without SIM card design



LED-KEY 7

恢复出厂设置 复位 唤醒 开关机



SIM 7

固定孔 mark点

Title		
Size	Number	Revision
C		
Date	2017-06-16	Sheet 1 of 1
File	C:\Users\USR-GM3 & GM3S-EVK_Sch	Drawn By